

## 3/4" U-Channel (CRC) 075U50-54

54mil (16ga) 33ksi

### Used in framing applications:

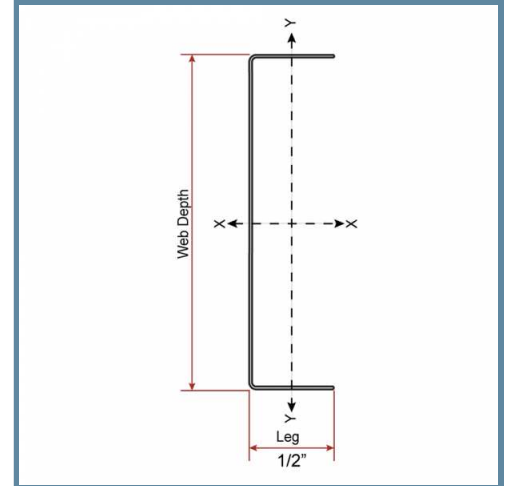
- Furring for metal lath systems
- Drop down ceilings
- Lateral bracing in 2-1/2" Studs

### Geometric Properties

**Web Depth:** 0.750 in  
**Leg Width:** 0.500 in

**Design Thickness:** 0.0566 in  
**Min. steel thickness:** 0.0538 in

**Ultimate, Fu:** 45 ksi  
**Yield stress, Fy:** 33ksi  
\*Fy with Cold-Work, Fya 39.4 ksi



Gross Section Properties of Full Section, Strong Axis	
Cross sectional area (A)	0.087 in <sup>2</sup>
Member weight per foot of length	0.296 lb/ft
Moment of inertia (Ix)	0.007 in <sup>4</sup>
Radius of gyration (Rx)	0.289 in
Gross moment of inertia (Iy)	0.002 in <sup>4</sup>
Gross radius of gyration (Ry)	0.156 in
Effective Section Properties, Strong Axis	
Moment of inertia for deflection (Ix)	0.007 in <sup>4</sup>
Section modulus (Sx)	0.007 in <sup>4</sup>
Section modulus (Sx)	0.019 in <sup>3</sup>
Allowable bending moment (Ma)	0.459 in-k
Allowable shear force (Va)	315 lb

### Product Data & Ordering Information:

**Coating:** G60/G90

**Color coding:** Green

**Stock length:** 10'-0" long pieces (Custom length available by special orders)

**Packaging:** 10 pieces per bundle - 240 pieces per pallet

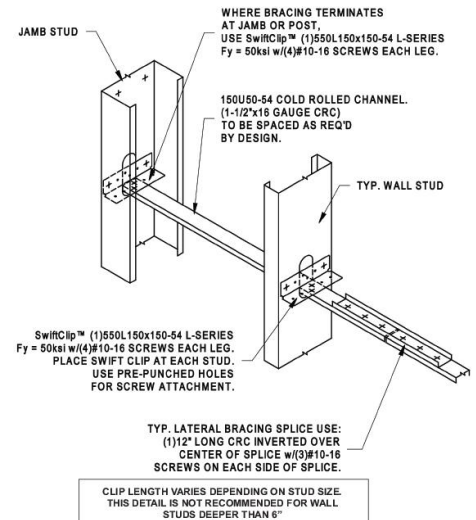
**Packaging weight:** 30 lbs/bundle

### Code Approvals & Performance Standards:

**AISI S100-16 North American Specification for the Design of CFS Structural Members**

**AISI S240-15 North American Standard for Cold-Formed Steel Structural Framing**

- Section A3 - Material - Chemical & mechanical requirements (Referencing ASTM A1003 / A1003M)
- Section A4 - Corrosion Protection (Referencing ASTM A653 / A653M)
- Section C - Installation - (Referencing ASTM C1007)



**TYPICAL LATERAL BRACING DETAIL USING COLD-ROLLED-CHANNEL (CRC)**