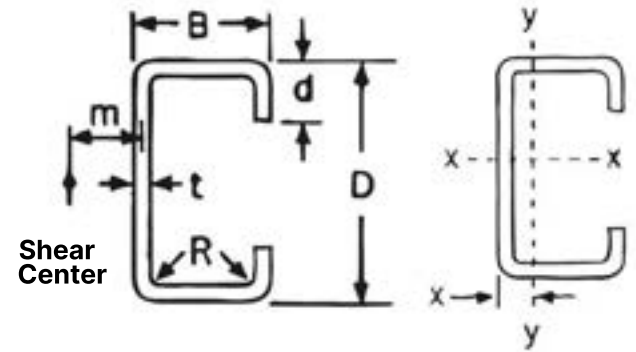


# Product Submittal Sheet

**Product Category:** S125(1-5/8" Flange Structural Stud)  
**Product Type:** 600S125-18/27/33 P - Punched  
 33mils (20ga) 43mils (18ga) 54mils (16ga)  
 68mils (14 ga)



L25 Equal Flange Stud

ID	D (in)	B (in)	d (in)	t (in)	R (in)	A (in <sup>2</sup> )	Weight (lb/ft)	Properties of full Section												
								Axis X - X			Axis Y - Y									
								I <sub>x</sub> (in <sup>4</sup> )	S <sub>x</sub> (in <sup>3</sup> )	r <sub>x</sub> (in)	I <sub>y</sub> (in <sup>4</sup> )	S <sub>y</sub> (in <sup>3</sup> )	r <sub>y</sub> (in)	r (in)	m (in)	I (in <sup>4</sup> )	C <sub>w</sub> (in <sup>6</sup> )	J (in <sup>8</sup> )	r <sub>p</sub> (in)	x <sub>c</sub> (in)
600S125-33	6,000	1,25	0,250	0,0346	0,075	0,302	1,03	1,44	0,48	2,19	0,046	0,046	0,391	0,241	0,421	0,000120	0,33	4,00	2,31	-0,638
600S125-27	6,000	1,25	0,250	0,0283	0,075	0,248	0,85	1,19	0,40	2,19	0,038	0,038	0,394	0,240	0,425	0,000066	0,28	3,99	2,32	-0,644
600S125-18	6,000	1,25	0,250	0,0188	0,075	0,165	0,57	0,80	0,27	2,20	0,026	0,026	0,399	0,239	0,430	0,000019	0,19	3,95	2,33	-0,654

## Code Approvals & Performance Standards

CSSBI 61:21 NORTH AMERICAN STANDARD FOR COLD-FORMED STEEL FRAMING - NON STRUCTURAL MEMBERS

- Section A4 Material - Chemical & mechanical requirements (Referencing ASTM A1003 / A1003M)
- Section A5 Corrosion Protection (Referencing ASTM A653/A653M)
- Section C Installation - (Referencing ASTM C754)